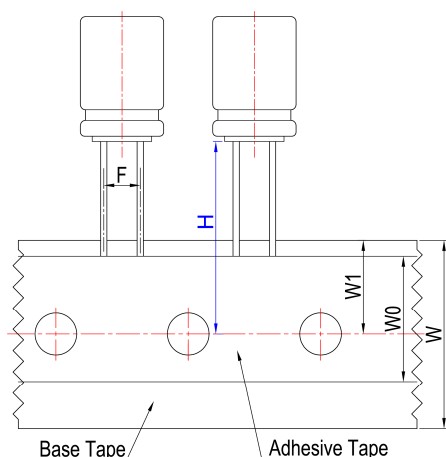


Notice on the Modification of Taping Dimension of OP-CAP Capacitor

Doc. No: TR-PCN1701
Date: 2017/1/25
Revision: 1.0 Page: 1
Grade: General

Dear Valued Customers:

The H dimension of the taping specifications for radial type OP-CAP (Organic Conductive Polymer Capacitors) will be changed from Mar. 1st, 2017. The details are listed below.



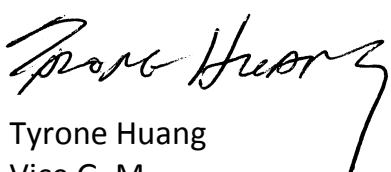
Case size	Old	New
5 ϕ \times 8L, 6.3 ϕ \times 5.5L, 6.3 ϕ \times 6L, 6.3 ϕ \times 6.5L, 6.3 ϕ \times 8L, 8 ϕ \times 6.5L, 8 ϕ \times 8L	17.5 mm	18.5 mm

This modification doesn't affect the existing part numbering system.

Thank you for your continuous support of Lelon and our products.

If you have any questions regarding this notice, please contact with Lelon's sales representative.

Sincerely yours,



Tyrone Huang
Vice G. M.
Lelon Electronics Corp.